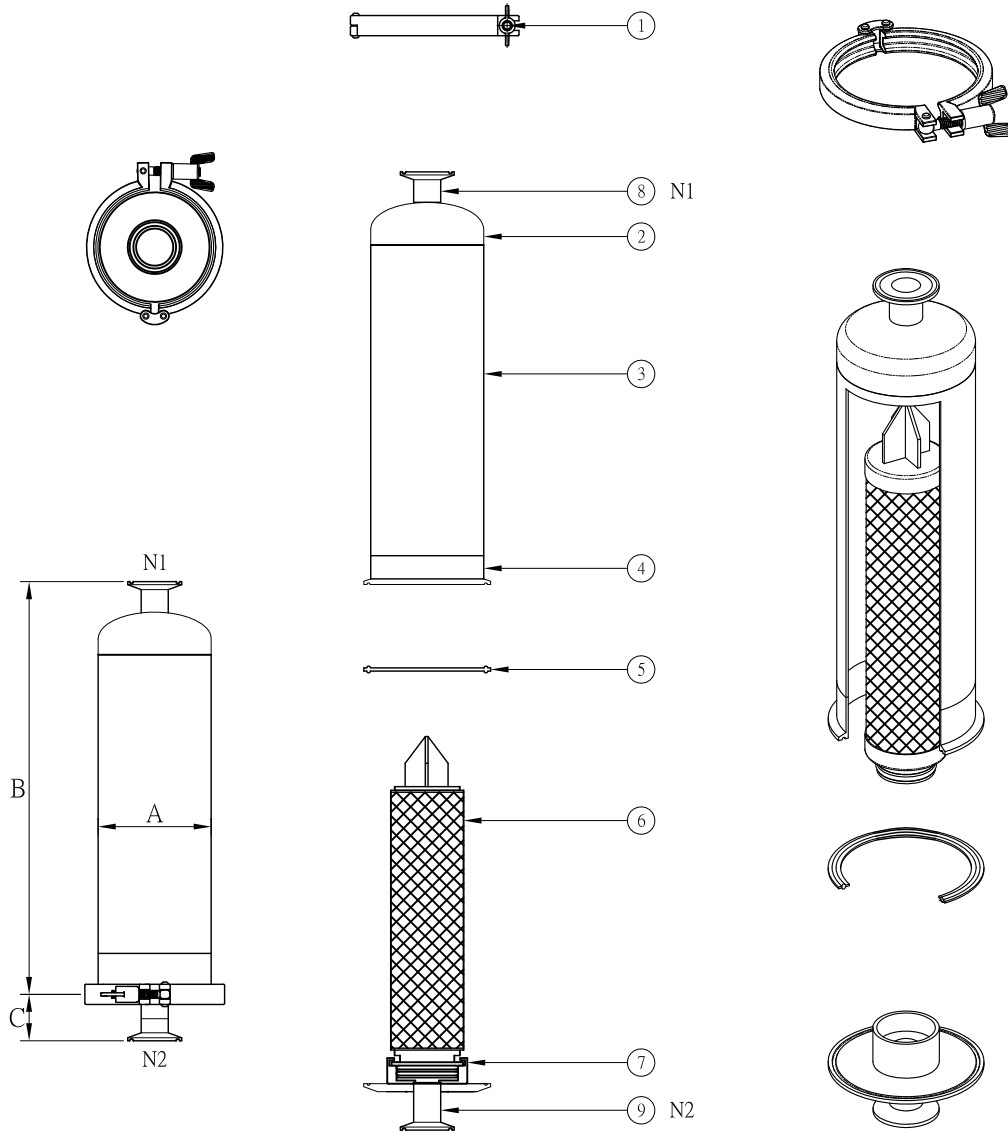




RI SERIES >>> 單支裝直通式空氣濾芯機

Single Cartridge In-Line Air Filter Housing

... 設計壓力	Design P.	... 10kg/cm ²
... 操作壓力	Operating P.	... 7kg/cm ²
... 設計溫度	Design T.	... 100°C
... 操作溫度	Operating T.	... 75°C



NO.	名稱	Description
1	束環	Clamp
2	端板	Bottom cover
3	桶體	Shell
4	桶唇	Shell flange
5	墊片	Gasket
6	濾芯	Filter cartridge
7	底座	Base
8	入水口	Inlet
9	出水口	Outlet

型式 Model	Length of Cartridge	A m/m	B m/m	C m/m	(Air) M ³ /Hr	重量 Weight
1RI1	10"	φ101.6	384	43.5	4	3.5kg
1RI2	20"	φ101.6	639	43.5	8	4.8kg
1RI3	30"	φ101.6	894	43.5	12	6.2kg

*1"夾接規格

*SYS standard inlet/outlet size is 1" sanitary clamp.

*濾芯僅供選購

* Filter element for optional purchase.