

RI series

單支裝直通式空氣濾芯機

Single Cartridge In-Line Air Filter Housing

- ▶ 墊片材質：EPDM / VITON / SILICONE / TEFLON+EPDM
- ▶ 表面處理：內外拋光/內外拋光電解(EP)
- ▶ 材質：304/316/316L
- ▶ 設計壓力：10Kg/cm²
- ▶ 操作壓力：7Kg/cm²
- ▶ 設計溫度：100°C
- ▶ 操作溫度：75°C



FEATURES

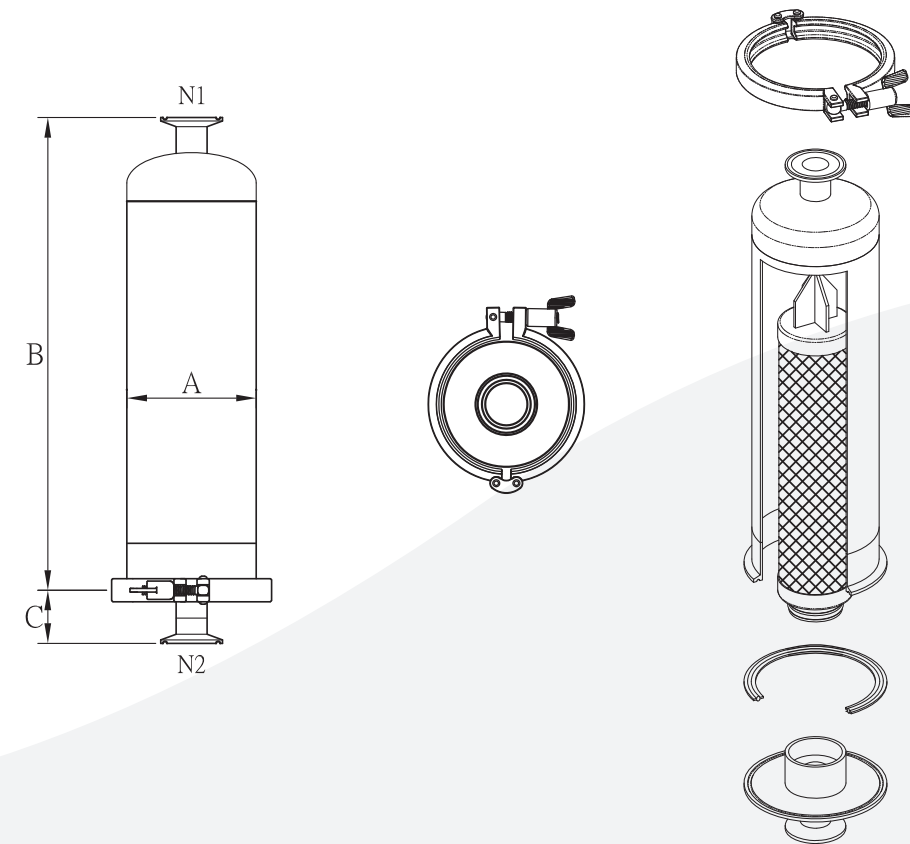
- ▶ 內外表面處理拋光至Ra 0.2μm，符合衛生等級要求，表面光亮如鏡面
- ▶ 使用專利束環設計，不需使用工具即可拆換，方便維護
- ▶ 鍛造底座，增加抗壓性，不輕易變形
- ▶ 表面光滑無死角，粉塵細菌不殘留
- ▶ 輕便、體積小，安裝使用不占空間
- ▶ 直通式出入口設計，方便配管



RI series

單支裝直通式空氣濾芯機

Single Cartridge In-Line Air Filter Housing



SPECIFICATIONS

Model	Length of Cartridge	A m/m	B m/m	C m/m	(Air) M ³ /Hr	Weight
1RI1	10"	Ø101.6	384	43.5	4	3.5 kg
1RI2	20"	Ø101.6	639	43.5	8	4.8 kg
1RI3	30"	Ø101.6	894	43.5	12	6.2 kg

PURCHASE CODE

1RI	1	C5	4	25	J	E	3	3
Product code	Length of Cartridge	Cartridge	Material	In&Outlet size	In&Outlet type	Gasket Material	Interior surface finished	Exterior surface finished
	1-10"	CF-DOE	4-304	15-1/2"	10K-JIS	E-EPDM	3-Polishing	3-Polishing
	2-20"	C5-222+Fin	6-316	20-3/4"	150P-ANSI	V-Viton	4-Electrolyze& Polishing (EP)	4-Electrolyze& Polishing (EP)
	3-30"	C7-226	6L-316L	25-1"	PN10-DIN	S-Silicone		
				40-1-1/2"	J-Clamp	TE-Teflon+EPDM		
				50-2"	PF-BSPT-F			
					BF-BSPT-F			
					NF-NPT-F			

▶ 1"夾接規格
SYS standard inlet/outlet size is 1" sanitary clamp.

▶ 濾芯僅供選購
Filter element for optional purchase.