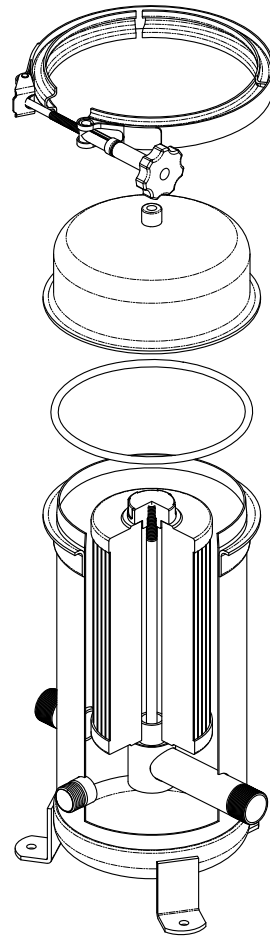
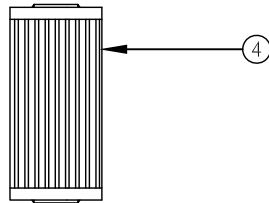
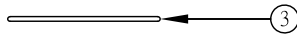
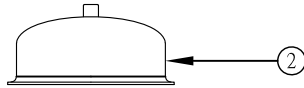
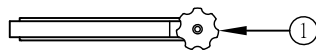
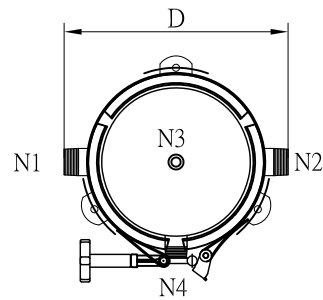




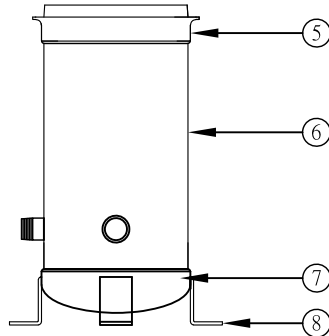
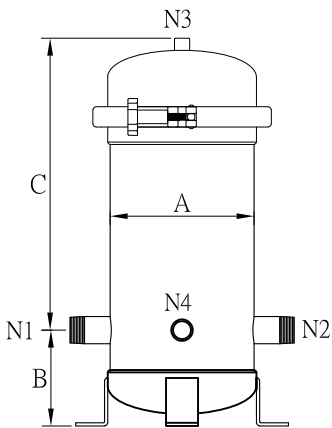
FS SERIES >>> 水塔過濾設備(豪華型)

Water Tank Filter Equipment

... 設計壓力 Design P.	... 10kg/cm ²
... 操作壓力 Operating P.	... 7kg/cm ²
... 設計溫度 Design T.	... 75°C
... 操作溫度 Operating T.	... 40°C



NO.	名稱 Description
1	束環 Clamp
2	上蓋 Top cover
3	O型環 O-ring
4	三合一濾芯 Filter cartridge
5	桶唇 Shell flange
6	桶體 Shell
7	端板 Bottom cover
8	L型腳架 Support leg



型式 Model	Length of Cartridge	A m/m	B m/m	C m/m	D m/m	重量 Weight
FS1	10"	∅180	120	365	280	8kg
FS2	20"	∅180	120	615	280	9.7kg

*濾芯僅供選購

*Filter element for optional purchase.