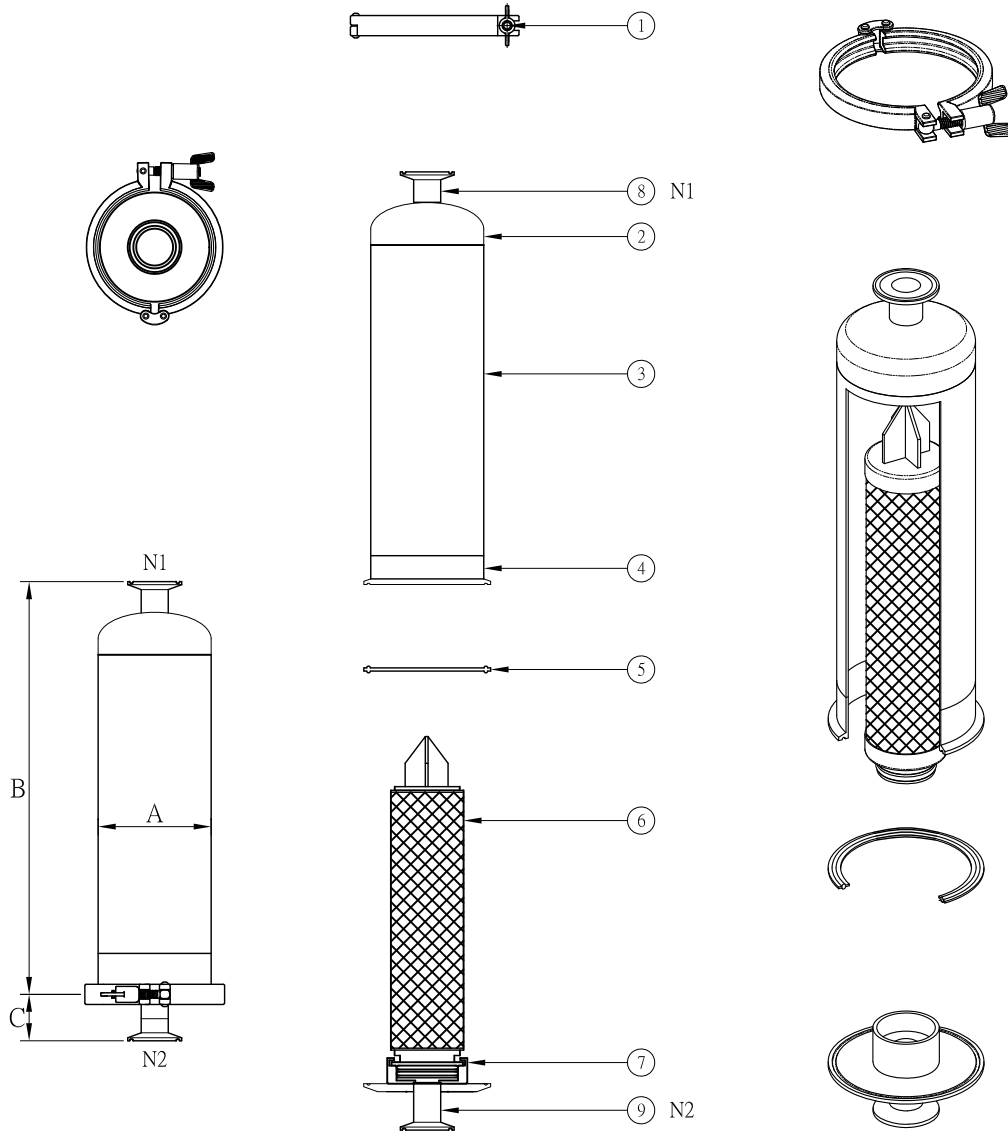




RI SERIES >>> 衛生級直通式濾芯機

In-Line Sanitary Cartridge Filter Housing

... 設計壓力 Design P.	... 10kg/cm ²
... 操作壓力 Operating P.	... 7kg/cm ²
... 設計溫度 Design T.	... 100°C
... 操作溫度 Operating T.	... 75°C



NO.	名稱 Description
1	束環 Clamp
2	端板 Bottom cover
3	桶體 Shell
4	桶唇 Shell flange
5	墊片 Gasket
6	濾芯 Filter cartridge
7	底座 Base
8	入水口 Inlet
9	出水口 Outlet

型式 Model	Length of Cartridge	A m/m	B m/m	C m/m	重量 Weight
1RI1	10"	φ101.6	384	43.5	3.5kg
1RI2	20"	φ101.6	639	43.5	4.8kg
1RI3	30"	φ101.6	894	43.5	6.2kg

*1"夾接規格

*SYS standard inlet/outlet size is 1" sanitary clamp.

*濾芯僅供選購

* Filter element for optional purchase.