

# **SYs** **CORPORATION**

## **RT series**

### **Single Cartridge T-Line Air Filter Housing**

- ▶ Gasket: EPDM / VITON / SILICONE / TEFLON+EPDM
- ▶ Surface finish : I/E: polished/ Electropolished(EP)
- ▶ Material : 304/316/316L
- ▶ Design P : 10Kg/cm<sup>2</sup>
- ▶ Operating P : 7Kg/cm<sup>2</sup>
- ▶ Design T : 100°C
- ▶ Operating T : 75°C



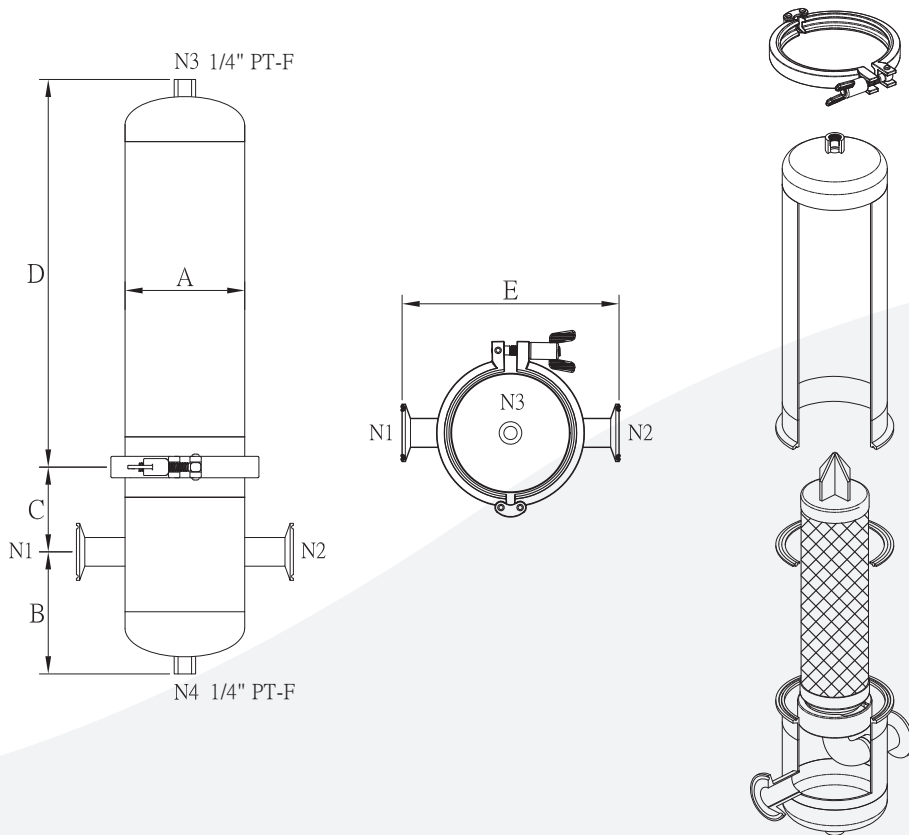
## **FEATURES**

- ▶ Inside and outside surface finish polished up to Ra 0.2μm, in line with sanitary grade.
- ▶ Easy to install and disassemble, the cartridge can replace from bottom directly.
- ▶ Taking apart without tools with patented clamp, making easy to maintain.
- ▶ Maximize flow and minimize pressure drop, easy piping with parallel design of inlet & outlet.
- ▶ Smooth surface without dead ends, bacterial do not remain in the housings.
- ▶ Lightweight, small size, save installation space.



# RT series

## Single Cartridge T-Line Air Filter Housing



### SPECIFICATIONS

Model	Length of Cartridge	A m/m	B m/m	C m/m	D m/m	E m/m	(Air) M <sup>3</sup> /Hr	Weight
1RT1	10"	Ø101.6	78	75	340	188	4	4 kg
1RT2	20"	Ø101.6	78	75	590	188	8	5.3 kg
1RT3	30"	Ø101.6	78	75	840	188	12	6.5 kg

### PURCHASE CODE

1RT	1	C5	4	25	J	E	3	3
Product code	Length of Cartridge	Cartridge	Material	In&Outlet size	In&Outlet type	Gasket Material	Interior surface finished	Exterior surface finished
	1-10"	CF-DOE	4-304	15-1/2"	10K-JIS	E-EPDM	3-Polishing	3-Polishing
	2-20"	C5-222+Fin	6-316	20-3/4"	150P-ANSI	V-Viton	4-Electrolyze& Polishing (EP)	4-Electrolyze& Polishing (EP)
	3-30"	C7-226	6L-316L	25-1"	PN10-DIN	S-Silicone		
				40-1-1/2"	J-Clamp	TE-Teflon+EPDM		
					PF-BSPT-F			
					BF-BSPF-F			
					NF-NPT-F			

► SYS standard inlet/outlet size is 1" sanitary clamp.

► Filter element for optional purchase.