

RA series

Multi-Cartridges Air Filter Housing

- ▶ Oring : EPDM / VITON / NBR / SILICONE / TEFLON+VITON
- ▶ Surface finish : Polishing/ Electrolyze & Polishing(EP)
- ▶ Material : 304/316/316L
- ▶ Design P : 10Kg/cm²
- ▶ Operating P : 7Kg/cm²
- ▶ Design T : 100°C
- ▶ Operating T : 75°C



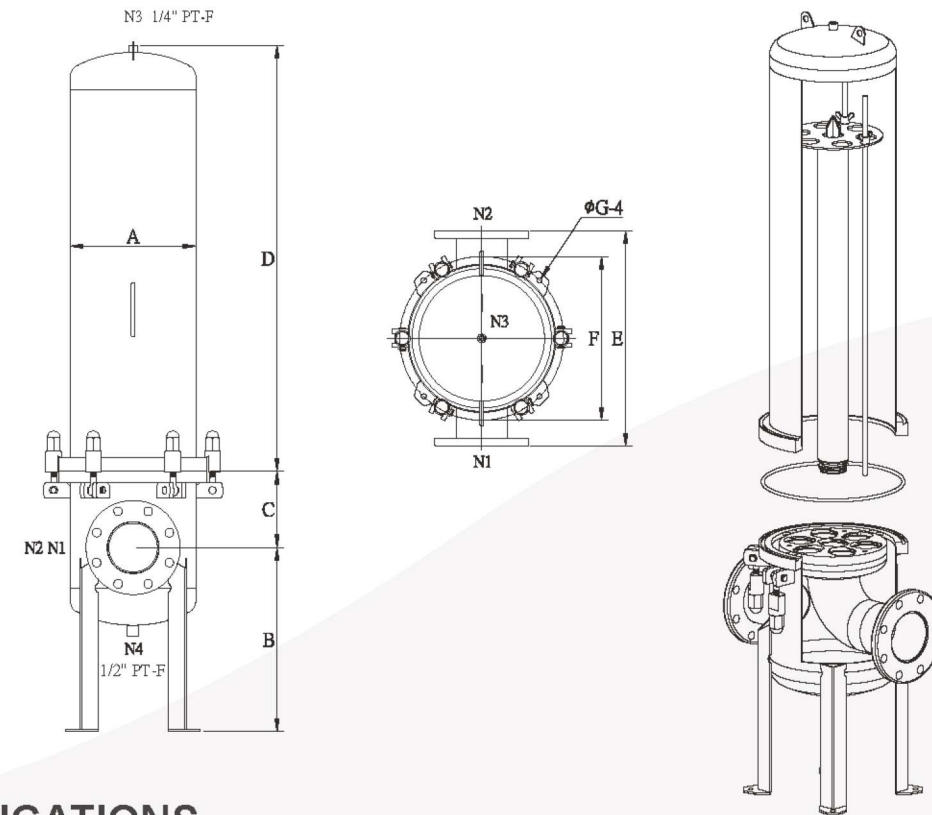
FEATURES

- ▶ Correspondent with the highest sanitary standard code is available using in the pharmaceutical, food & beverage, harmless gas industry, etc.
- ▶ The special tight-fitting design of padlock and nut can with low installation and maintain cost, also replace the cartridges very easier.
- ▶ Designed for large air volume, RA series can maximize flow and minimize pressure drop.
- ▶ Inside and outside surface finish polished up to Ra 0.2μm, conform to sanitary grade.
- ▶ Easy to replace the cartridges with lifting lug design.



RA series

Multi-Cartridges Air Filter Housing



SPECIFICATIONS

Model	Length of Cartridge	N1/N2	A m/m	B m/m	C m/m	D m/m	E m/m	F/(PCD) m/m	G m/m	(Air) M ³ /Hr	Weight
3~4RA	30"	4"	Ø238	400	170	920	438	Ø320	Ø12	36~48	60 kg
5~7RA	30"	4"	Ø280	400	170	948	480	Ø365	Ø12	60~84	70 kg
8~12RA	30"	4"	Ø406	400	200	966	606	Ø516	Ø14	96~144	95 kg
13~19RA	30"	5"	Ø486	450	315	981	686	Ø596	Ø14	156~228	120 kg
20~32RA	30"	6"	Ø560	450	370	996	760	Ø704	Ø18	240~384	190 kg

PURCHASE CODE

3RA	3	C5	6	100	10K	E	3	3
Product code	Length of Cartridge	Cartridge	Material	In&Outlet size	In&Outlet type	O-ring Material	Interior surface finished	Exterior surface finished
3~32	1-10"	CF-DOE	4-304	100-4"	10K-JIS	E-EPDM	3-Polishing	3-Polishing
	2-20"	C5-222+Fin	6-316	125-5"	150P-ANSI	V-Viton	4-Electrolyze& Polishing (EP)	4-Electrolyze& Polishing (EP)
	3-30"	C7-226	6L-316L	150-6"	PN10-DIN	N-NBR		
					J-Clamp	S-Silicone		
					PF-BSPT-F	TV-Teflon+Viton		
					BF-BSPT-F			
					NF-NPT-F			

▶ Filter element for optional purchase.

▶ Qty of filter cartridge element can be customized.